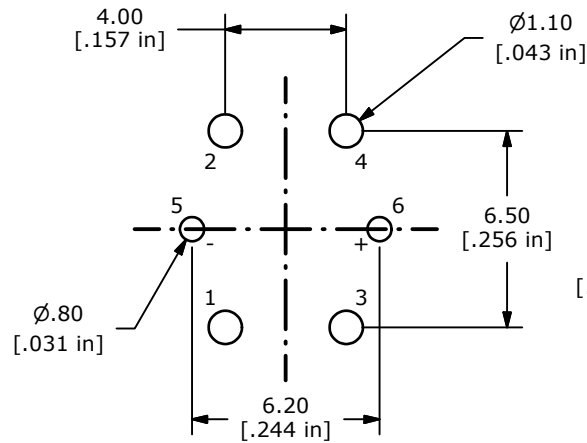
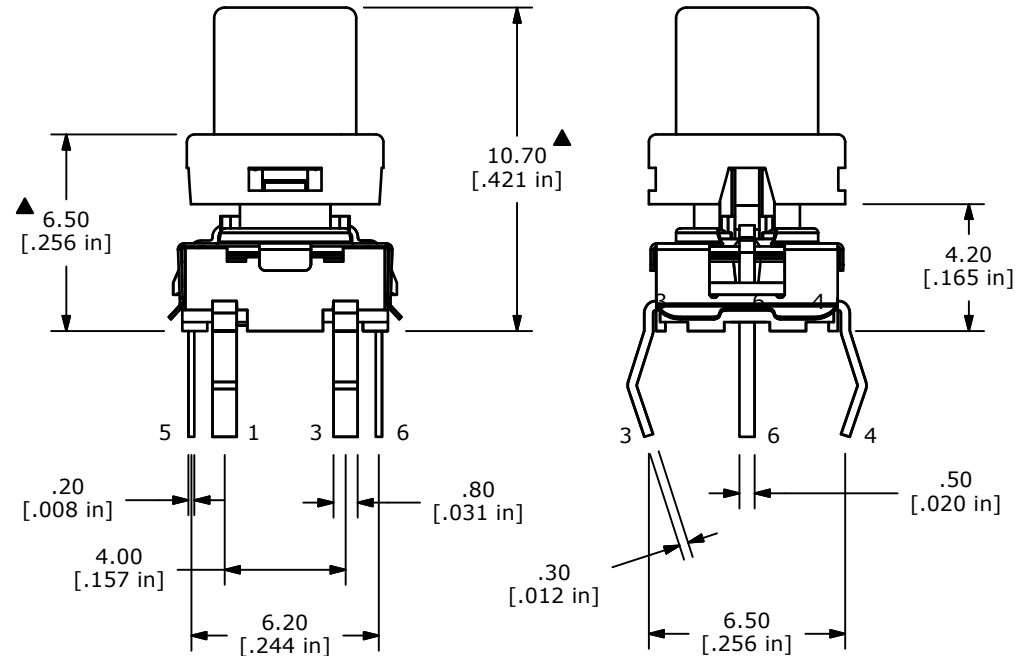
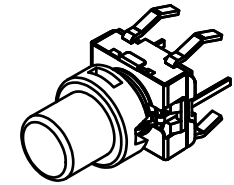
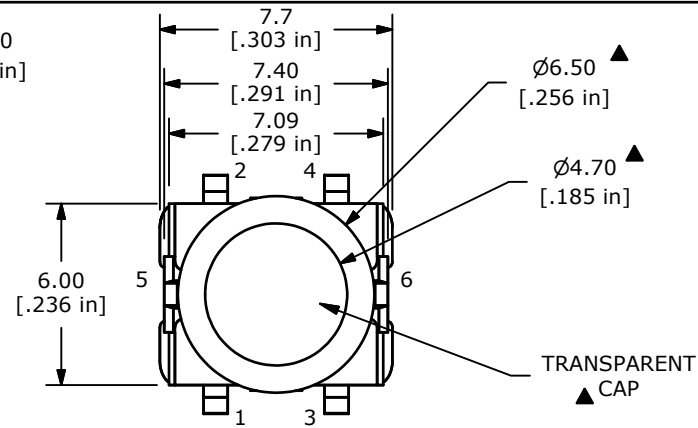


▲ **CIRCUIT: SPST**



PCB LAYOUT



NOTES:

1. ALL DIMENSIONS IN MM [INCH]
2. GENERAL TOLERANCE: X.X=±0.4
X.XX=±0.25
3. RATING: 12VDC @ 50mA
4. CONTACT RESISTANCE: 100mΩ MAX.
5. INSULATION RESISTANCE: 100MΩ MIN @ 500VDC.
- ▲ 6. OPERATING FORCE: 200 ± 80gf
7. TRAVEL: 0.45+/-0.15mm
8. OPERATING TEMPERATURE: -20°C TO 70°C
9. OPERATING LIFE: 500,000 CYCLES
10. LED COLOR: BLUE
11. IP67 RATED
12. ▲ DENOTES CRITICAL PARAMETERS
13. 2002/95/EC (ROHS) COMPLIANT

▲ **LED Specifications**

LED Color	Forward Current (mA)	Forward Voltage (V @ 20mA)	Luminous Intensity (mcd)
BLUE	20	3.3 typ - 4.0 max	80 typ



TITLE TL6215VF200BET

A	21759	New Release	1/12/15	rc
REV	PCR NO	DESCRIPTION	DATE	BY

SCALE	DATE	DR	DWG	REV
4:1	1/12/2015	rc	B200621	A

THE INFORMATION CONTAINED IN THIS DOCUMENT IS PROPRIETARY TO E-SWITCH AND IS NOT TO BE COPIED OR TRANSFERRED